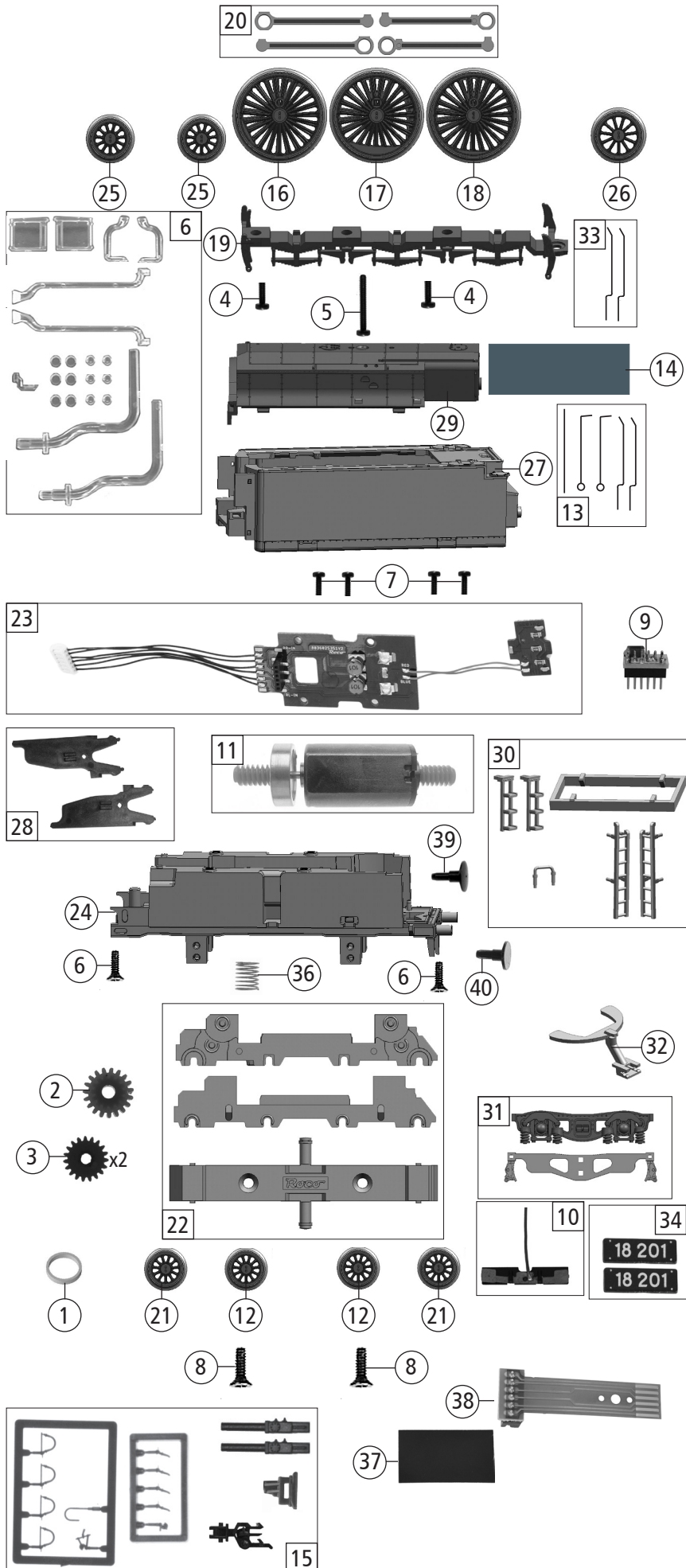


Pos. Nr. Pos.no.	Beschreibung Description	Art.-Nr. Art.no.	Preisgruppe Price bracket
7180017	DR BR 18 201		
7190017			
1	Kessel lackiert u. bedruckt Betr.nr. 02 0201-0 Boiler coated a. printed loco no 02 0201-0	147300	34
2	Zugfeder Draw spring	109832	3
3	GF-Schraube M1,6x6 mm Self-tapping screw	114836	3
4	GF-Schraube M1,6x4 mm Self-tapping screw	114850	3
5	GF-Schraube M2x5 mm Self-tapping screw	114966	3
6	Puffer gewölbt bedruckt Buffer curved printed	147294	5
7	Puffer flach bedruckt Buffer flat printed	147295	5
8	TS - Federn Part set springs	126616	9
9	Ansatzschraube M2x1,2 mm Flanged screw	85778	3
10	Lok-Radkontaktbaugruppe m. LED Loco wheel contact assy w. LED	129556	20
11	Steuerung kpl. Reversing gear complete	147291	24
12	TS - Lichtleiter,Fenster geprägt Part set light conductor>window printed	129558	8
13	TS - Lokunterteil Part set loco bottom part	129559	11
14	TS - Aschenk., Domdeckel, Part set ash box,dome cover,....	129561	7
15	TS - Lokboden Part set loco bottom	129562	7
16	TS - Umlauf Part set running board	129563	7
17	Grundrahmen Basic frame	129565	13
18	TS - Griffe Part set handles	147299	13
19	TS Kessel + Tender Part set boiler + tender	129597	12
20	TS - Ventile Part set valve	154065	7
21	TS - Kessel Part set boiler	129573	7
22	TS - Kesselleitungen Part set boiler lines	147304	16
23	TS-Windleitblech Part set smoke deflector	147306	17
24	TS - Lok- + Tendergewichte Part set loco and tender ballast	129576	10
25	Lokpfeife Loco whistle	129577	6
26	TS - Vorlaufgestell Part set of carrying wheels (front)	129579	10
27	TS-Nachlaufgestell Part set of carrying wheels (rear)	129581	8
28	Umlaufblech Running board	154061	20
29	Radblenden links und rechts Wheel faceplate left and right	147290	7
30	Radblendenfeder Wheel faceplate spring	129584	6
31	Zylinderblock lackiert Cylinder block painted	129585	10
32	Führerhaus Driver's cab	154064	17
33	Domdeckel Dome cover	147305	8
34	Generatorleitung Generator wiring	147303	3
35	Gegendruckbremse Against applied brake	134019	3
Sound			
36	Lautsprecher Loudspeaker	129524	13
37	Lautsprecher Haltebügel Loudspeaker fixation	131214	5
38	Sounddecoder Sound-decoder	154067	39

Änderungen in Konstruktion und Ausführung vorbehalten
We reserve the right to change the construction and specification



Pos. Nr. Pos.no.	Beschreibung Description	Art.-Nr. Art.no.	Preisgruppe Price bracket
7180017	DR BR 18 201		
7190017			
1	Haftring N-Spur 7,8 mm 10 Stk. Set w. traction tyres 10pieces	85617	10
2	Schneckenzahnrad Z=19/14 M=0,3 Worm gear wheel	86400	4
3	Zahnrad Z=19 Gear wheel	86499	3
4	GF-Schraube M2x6 mm Self-tapping screw	114828	3
5	GF-Schraube M2x16 mm Self-tapping screw	115094	3
6	SK-Schraube M1,6x4 mm SK-Screw	115161	3
7	GF-Schraube M1,6x5 mm Self-tapping screw	115269	3
8	SK-Schraube M2x8 mm SK-Screw	120189	3
9	Brückenbaugruppe Bridge assy	126404	9
10	Tenderkontakth. kpl. m. Litzen Tender contact holder complete w. leads	126621	8
11	Motor Motor	126622	28
12	Tenderradsatz o. Haftring w. Zahnrad Tender wheelset w/o trac. tyre a. gear wheel	126623	10
13	TS - Tendergriffstang./Federn Part set tender handrail/spring	126631	10
14	Schaumstoff für Schalldämmung Anti-noise foam material	126838	4
15	Zurüstbeutel Bag w. accessories	154066	12
16	Treibrads.1 o. Haftr. o. Zahn. Driving wheelset 1 w/o trac. tyre a. gear wheel	129553	12
17	Treibrads.2 o. Haftr. o. Zahn. Driving wheelset 2 w/o trac. tyre a. gear wheel	129554	12
18	Treibrads.3 o. Haftr. o. Zahn. Driving wheelset 3 w/o trac. tyre a. gear wheel	129555	12
19	Lokboden Loco bottom	129560	6
20	TS - Kuppelstangen Part set coupling rods	147292	12
21	Radsatz m. 2Haftringen/Zahnrad Wheelset w. 2traction tyres w. gear wheel	129566	12
22	Getriebesatz 3-teilig Gear set 3-parts	129567	13
23	Tenderplatine kpl. m. Lichtpl. Tender PCB w. PCB for light	129568	23
24	Tendergrundrahmen Tender basic frame	154063	14
25	Vorlaufradsatz Pony truck wheelset	129578	11
26	Nachlaufradsatz Carrying wheelset (rear)	129580	11
27	Tendergehäuse Tender body	154062	22
28	Tendertüren links und rechts Tender doors left and right	147297	14
29	Oltennderoberteil Oil tender body	134014	15
30	TS - Tender Part set tender	147298	8
31	DG-Blende+Bremsbacken Bogie frame + Brake shoes	129591	8
32	Tenderkupplungsdeichsel Tender coupling drawbar	129594	6
33	Tendertürfeder Tender door spring	140503	4
34	Nummer tafeln Number boards	140506	10
35	TS-Fenster, Lichtleiter, Part set window lens	129032	13
36	TS - Federn Part set springs	126616	9
37	Etikette silber Label, silver	108697	2
38	Flexleiter m. Buchse Flexible conductor with socket	129689	7
39	Puffer gewölbt bedruckt Buffer curved printed	147294	5
40	Puffer flach bedruckt Buffer flat printed	147295	5